

# Metal Walk-in Chicken Coop Run

Instruction manual  
For specification: 4m(L) x 3m(W) x 2m(H)



### PART LIST IN BOX 1

**1** x4pcs 1410mm pipe

**3** x6pcs 970mm pipe

**5** x2pcs 440mm pipe

**D1** x1pcs

**D3** x1pcs

**C** x4pcs

**D** x2pcs

**2** x10pcs 1870mm pipe

**4** x6pcs 1480mm pipe

**6** x1pcs 535mm pipe

**D2** x1pcs

**A** x6pcs

**B** x3pcs

### PART LIST IN BOX 2

**E** x2pcs

**F** 36mx1

**H** x2pcs

**M** x8pcs

**N** xNpcs

**I** x3pcs

**J** x1pcs Roof

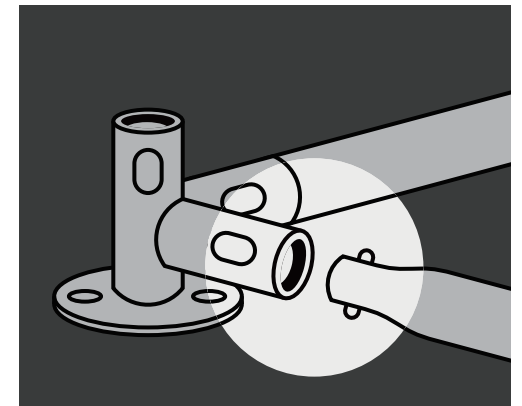
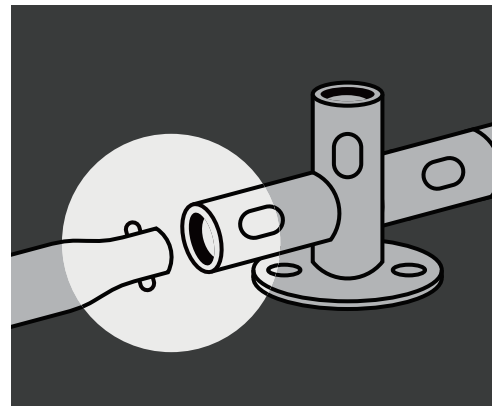
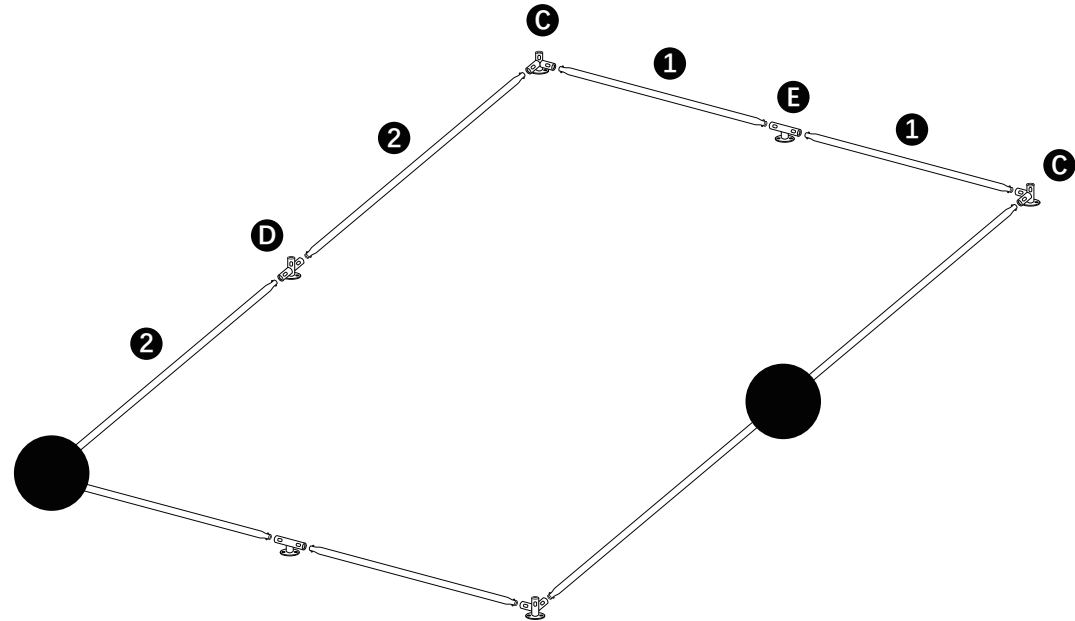
**K** x4pcs

**L** x2pcs

**O** xNpcs

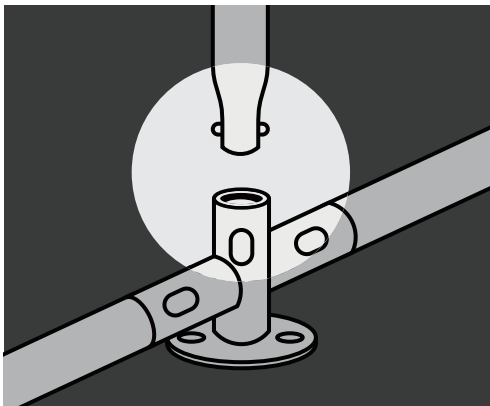
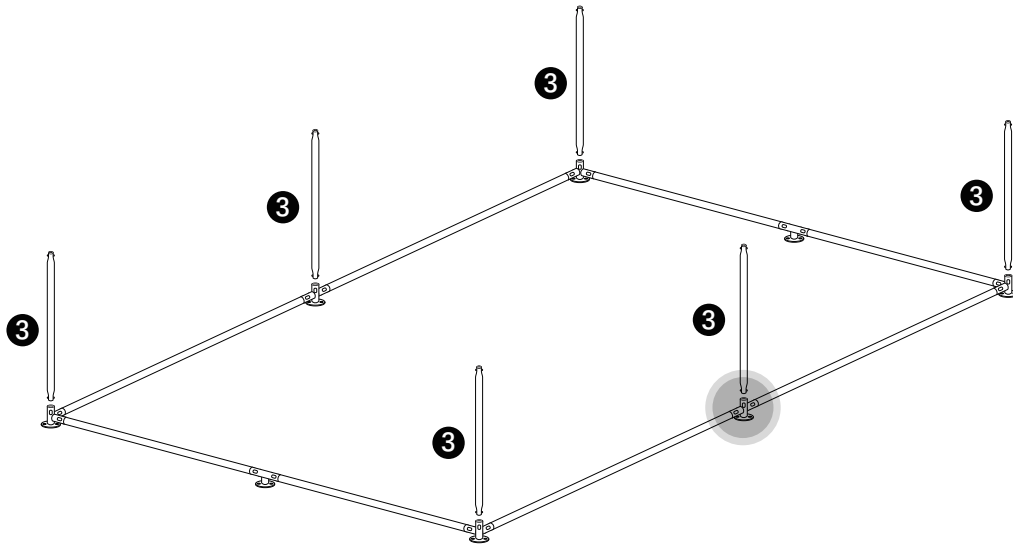
### Step 1

Assemble the bottom frame as the below drawing.



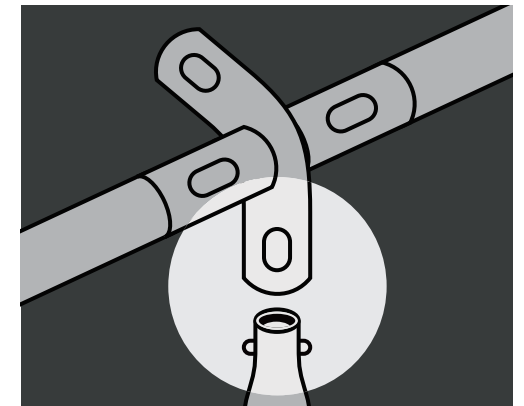
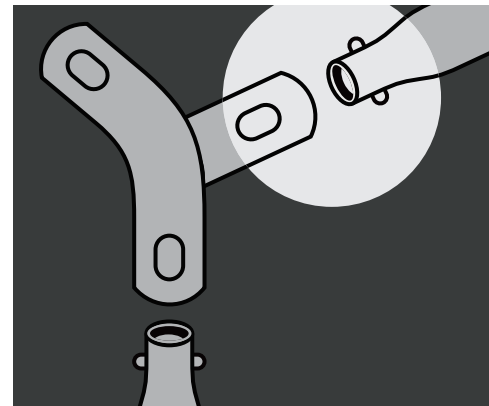
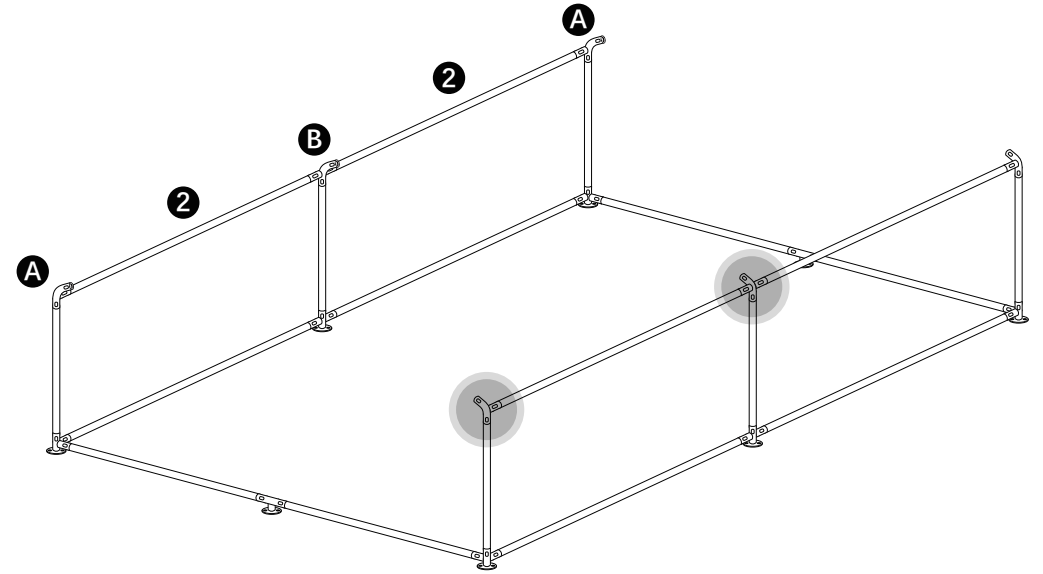
## Step 2

Gather pipe "3"×6pcs, insert the pipes into the connectors "C", "D" as the below drawing.



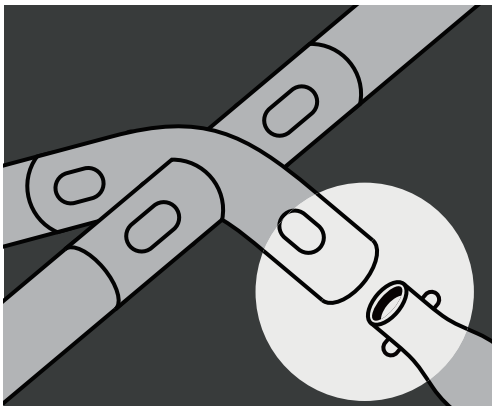
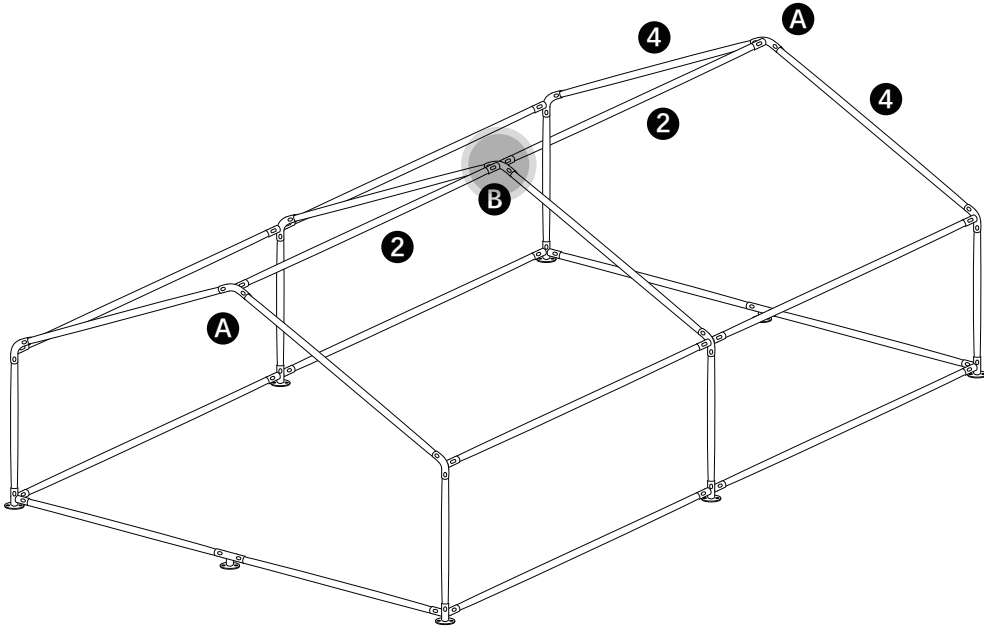
## Step 3

Gather connector "A"×4pcs, "B"×2pcs, and pipe "2"×4pcs, assemble as the below drawing.



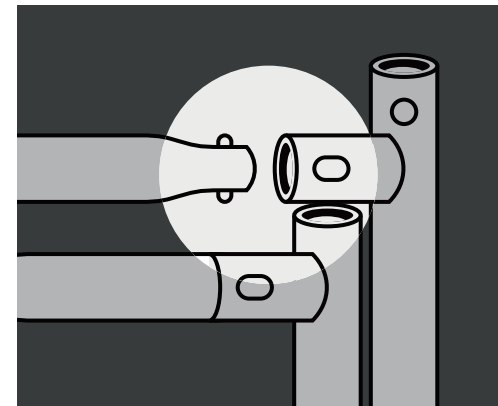
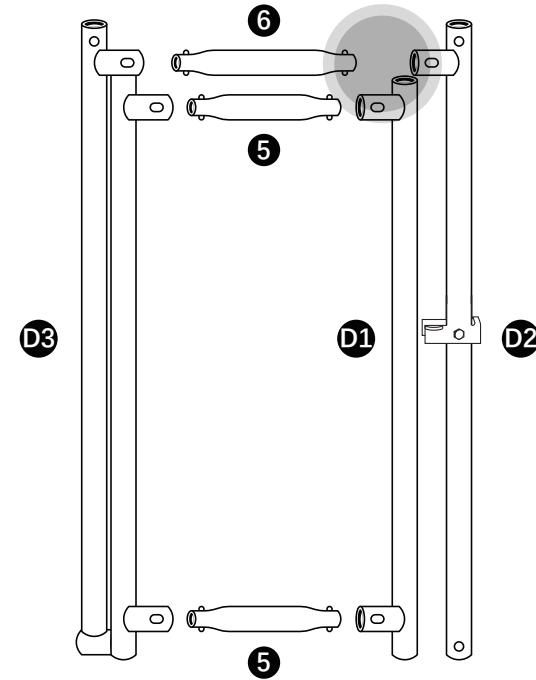
## Step 4

Gather connector "A"×2pcs, "B"×1pcs. Pipe "4"×6pcs and "2"×2pcs  
Assemble the top frame as the drawing.



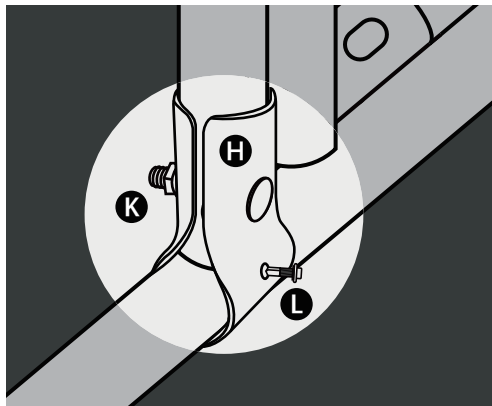
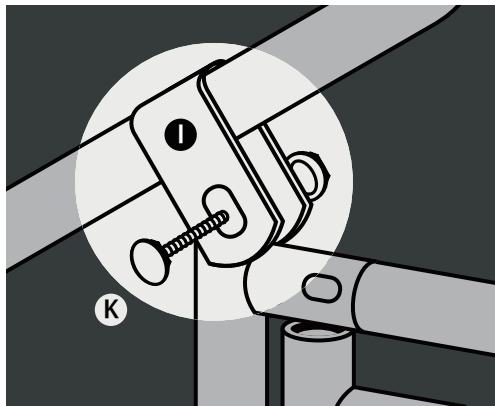
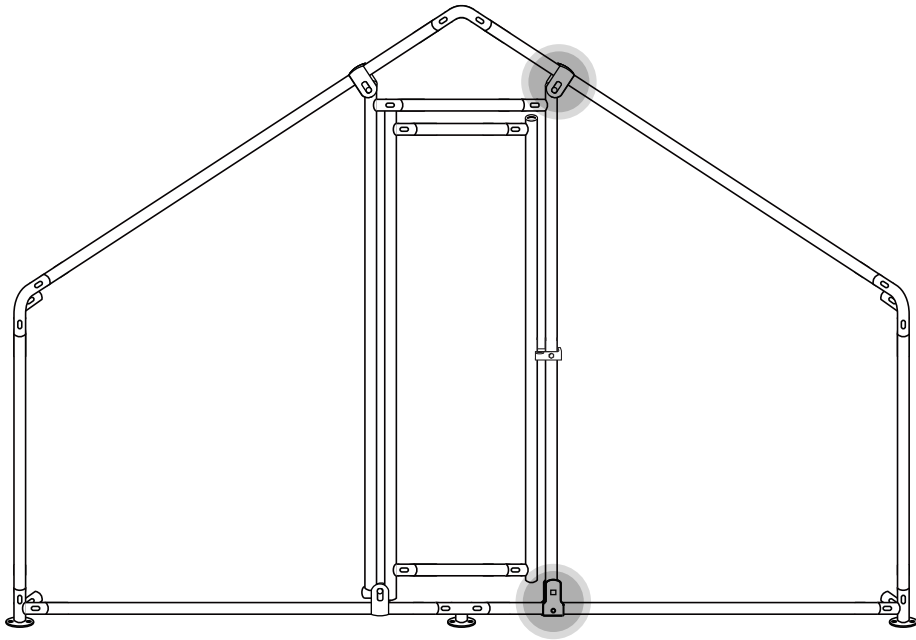
## Step 5

Assemble the door with 1 pcs of "D1", 1pcs of "D2", 1 pcs of "D3",  
2 pcs of "5" and 1 pcs of "6".



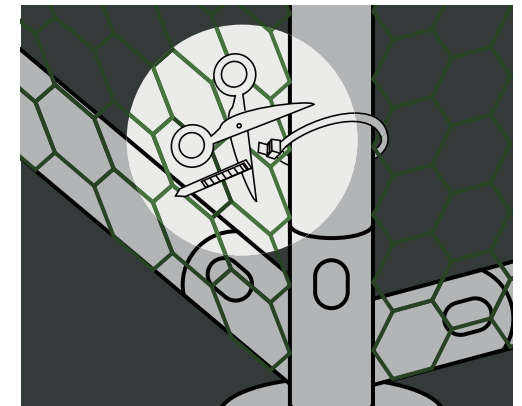
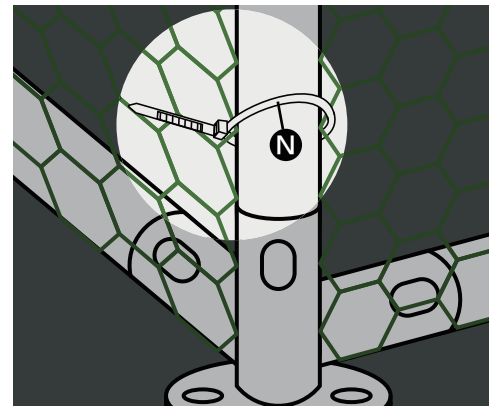
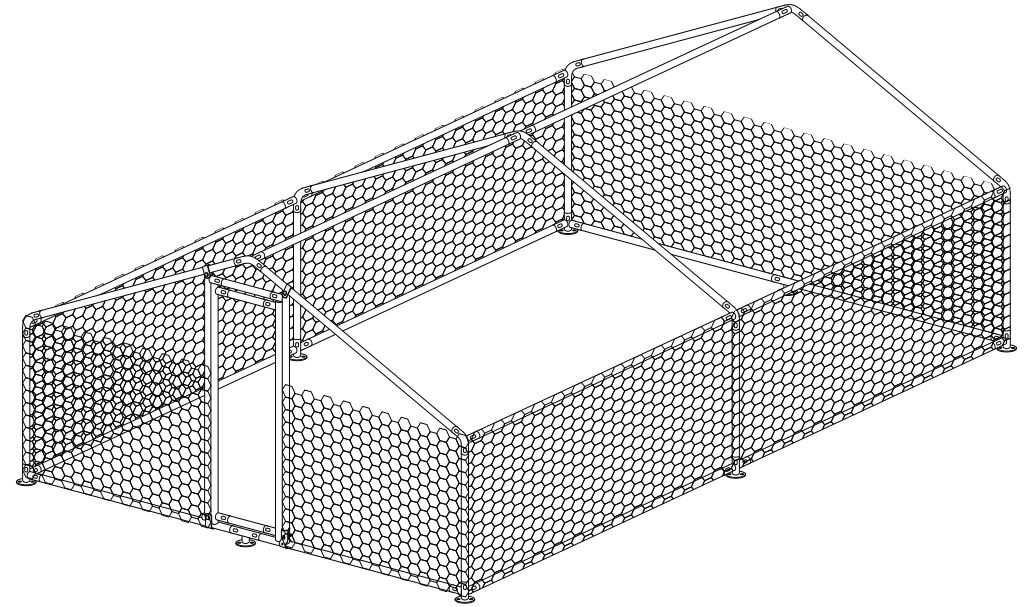
## Step 6

Install the door to the chicken frame with "H"x2 pcs, "I"x1pcs and screws.



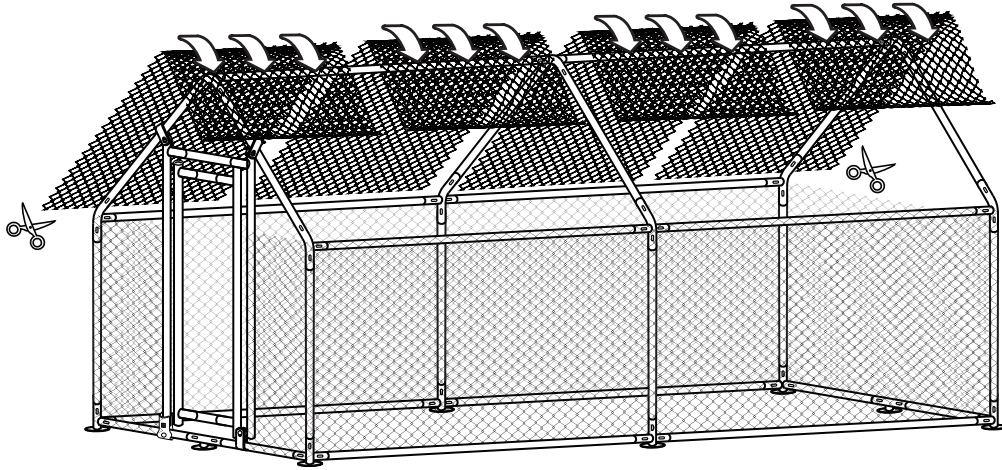
## Step 7

Step 1: NO PRE-CUT! Cover around the house, then cut off finally. And tie it to the pipes with strap "N".



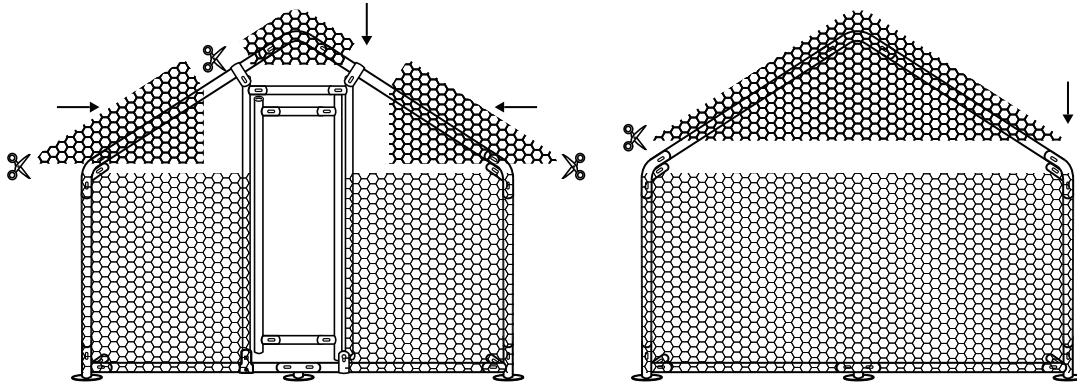
## Step 8

NO PRE-CUT! Cover the top, finally cut off. And tie it to the pipes with strap "N".



## Step 9

Measure the  $\Delta$  parts of front and back sides, Pre-cut the wire mesh for covering . And tie it to the pipes with strap "N".

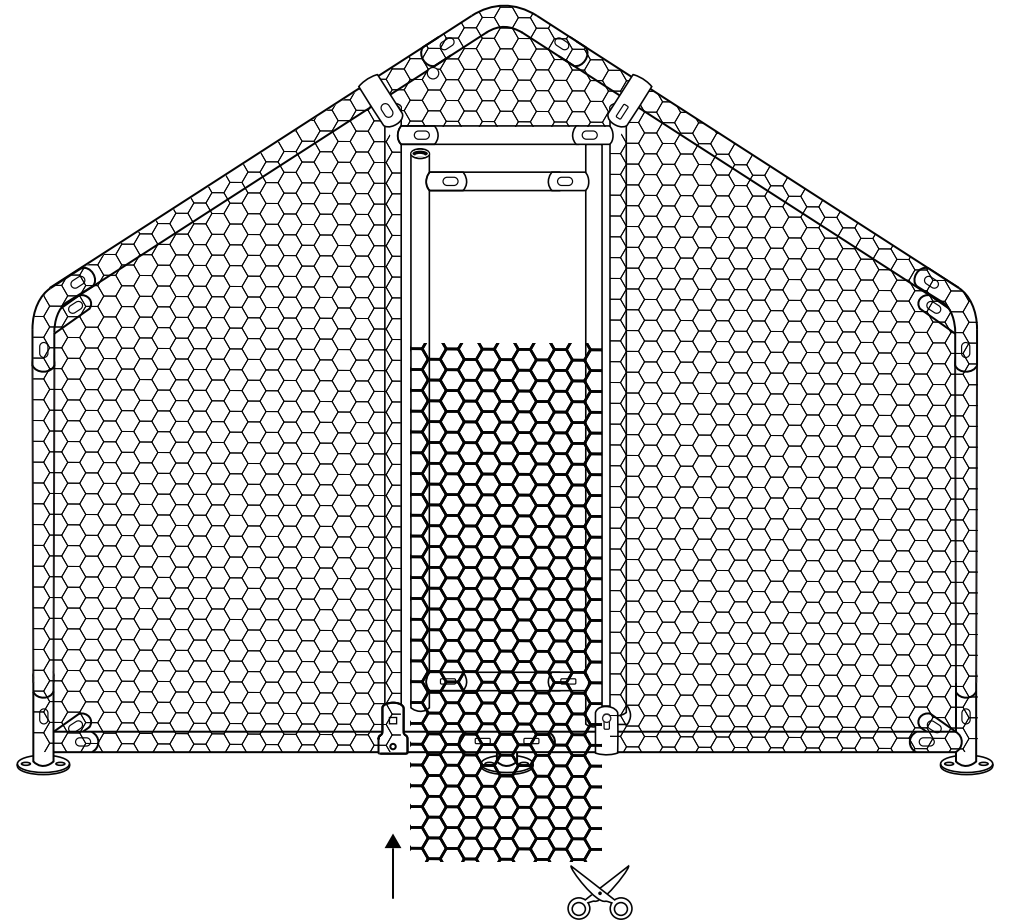


(Front)

(Back)

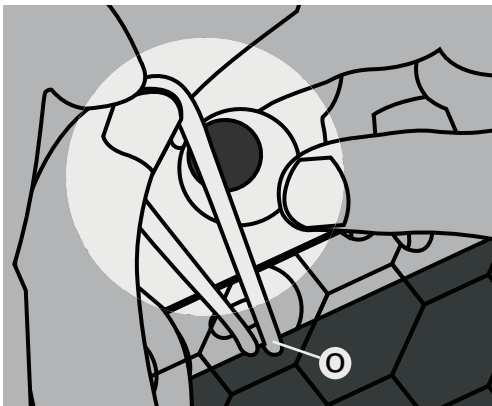
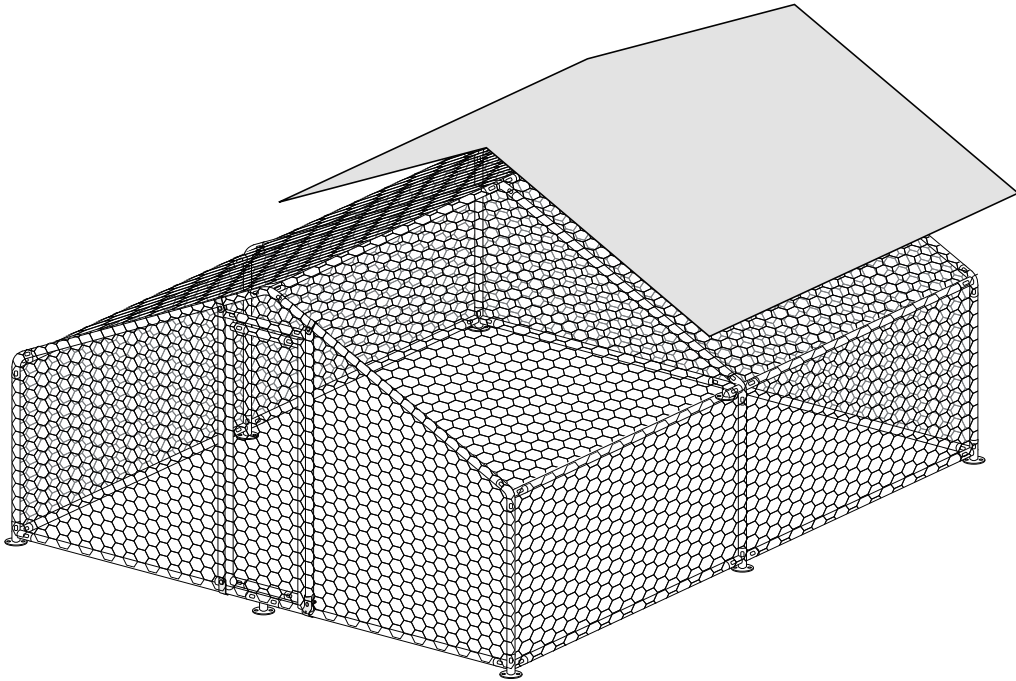
## Step 10

Measure the door size, Pre-cut the wire mesh for covering . And tie it to the pipes with strap "N".



## Step 11

Put the waterproof cover "J" on the frame, tighten it on the frame with "O".



## Step 12

Put the ground anchor "M" into ground to make the cage more stable and durable.

